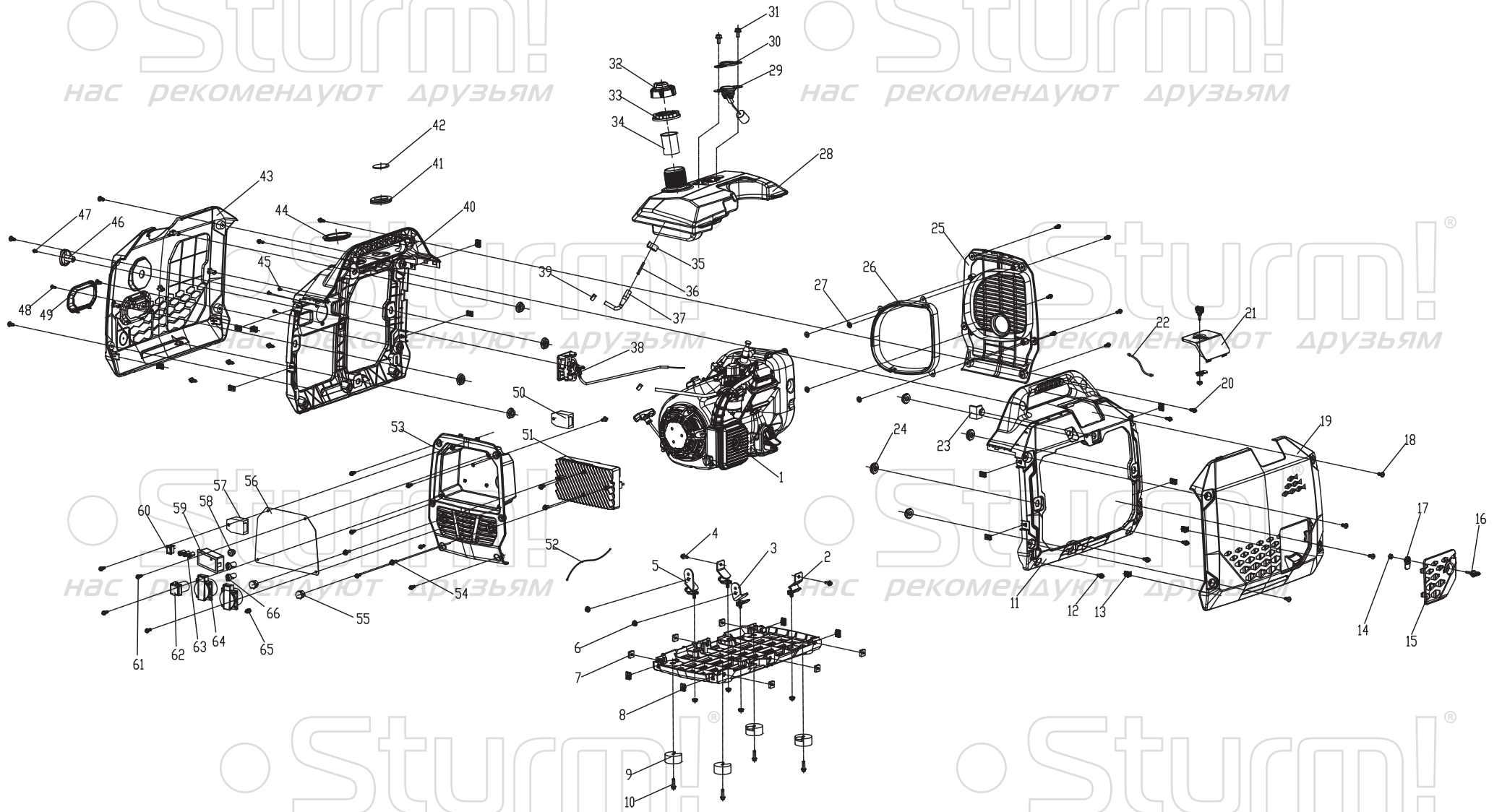


# PG2500Ci



Sturm!  
нас рекомендуют друзья

Sturm!  
нас рекомендуют друзья

Sturm!  
нас рекомендуют друзья

Sturm!  
нас рекомендуют друзья

Sturm!  
нас рекомендуют друзья

Sturm!  
нас рекомендуют друзья

# PG2500Ci

NO.	DESCRIPTION	SPEC.	NO.	DESCRIPTION	SPEC.
1	engine		34	Fuel filter	
2	Frame shock absorber base		35	Pipe clamp	φ 11
3	Frame shock absorber base		36	Fuel filter	
4	Hexagonal flange surface bolt	M6×12	37	Fuel-pipe (single piece)	Φ4.5_Φ8.5×Φ7_Φ11
5	Frame shock absorber base		38	Oil switch assembly	
6	Hexagonal flange surface nut	M6	39	Pipe clamp	φ 8
7	Square nut	M6(16×16×5)	40	Handle	
8	Clamping nut	M5	41	Damping and buffering rubber	
9	Frame shock absorber pad	2	42	Oil level observation window	
10	Hexagonal flange surface bolt	M6×20	43	Cover plate	
11	Handle		44	Damping and buffering rubber	
12	Hexagonal head shoulder bolt	M6×18	45	Cross-slot pan-head self-tapping screws	ST4×12
13	Cover plate snap ring		46	Oil switch handle	
14	Hexagonal flange surface nut	M5	47	Cross-slot hexagonal head screw, flat washer and spring washer combination	M4×12
15	Cover plate		48	Cross-slot countersunk screw	M5×12
16	Oil observation window knob		49	Cover plate decorative ring	
17	Oil observation window latch		50	DC module	
18	Grooved head screw that does not come out of the screw hole	M6×12	51	Inverter	
19	Cover plate		52	Main grounding wire	
20	Hexagonal head shoulder bolt	M5×16	53	Panel rear cover shell	
21	Cover plate		54	Hexagonal flange surface bolt	M6×14
22	Spark plug cover anti-detachment chain		55	Stupid person	
23	Shock absorption buffer rubber		56	Control Panel	
24	Shock absorption buffer rubber		57	Grounding module	
25	Silencer side cover		58	Reset button	
26	Shock absorption buffer rubber		59	Digital voltmeter	
27	Internal serrated locking gasket	φ 5×14×0.5mm	60	Switch	
28	Fuel tank body		61	Cross-slot hex head screws, flat washers and spring washers combination	M5×16
29	Sighting component		62	USB	
30	Sighting pressure plate		63	Indicator light	
31	Hexagonal flange face bolt	M6×10	64	Europe socket	
32	Fuel tank cap		65	Grounding bolt	
33	Cover plate		66	Parallel socket set	

PG2500Ci-EX-CK03P2026036T

# ENGINE FOR PG2500Ci

Sturm!  
нас рекомендуют друзья

Sturm!  
нас рекомендуют друзья

Sturm!  
нас рекомендуют друзья

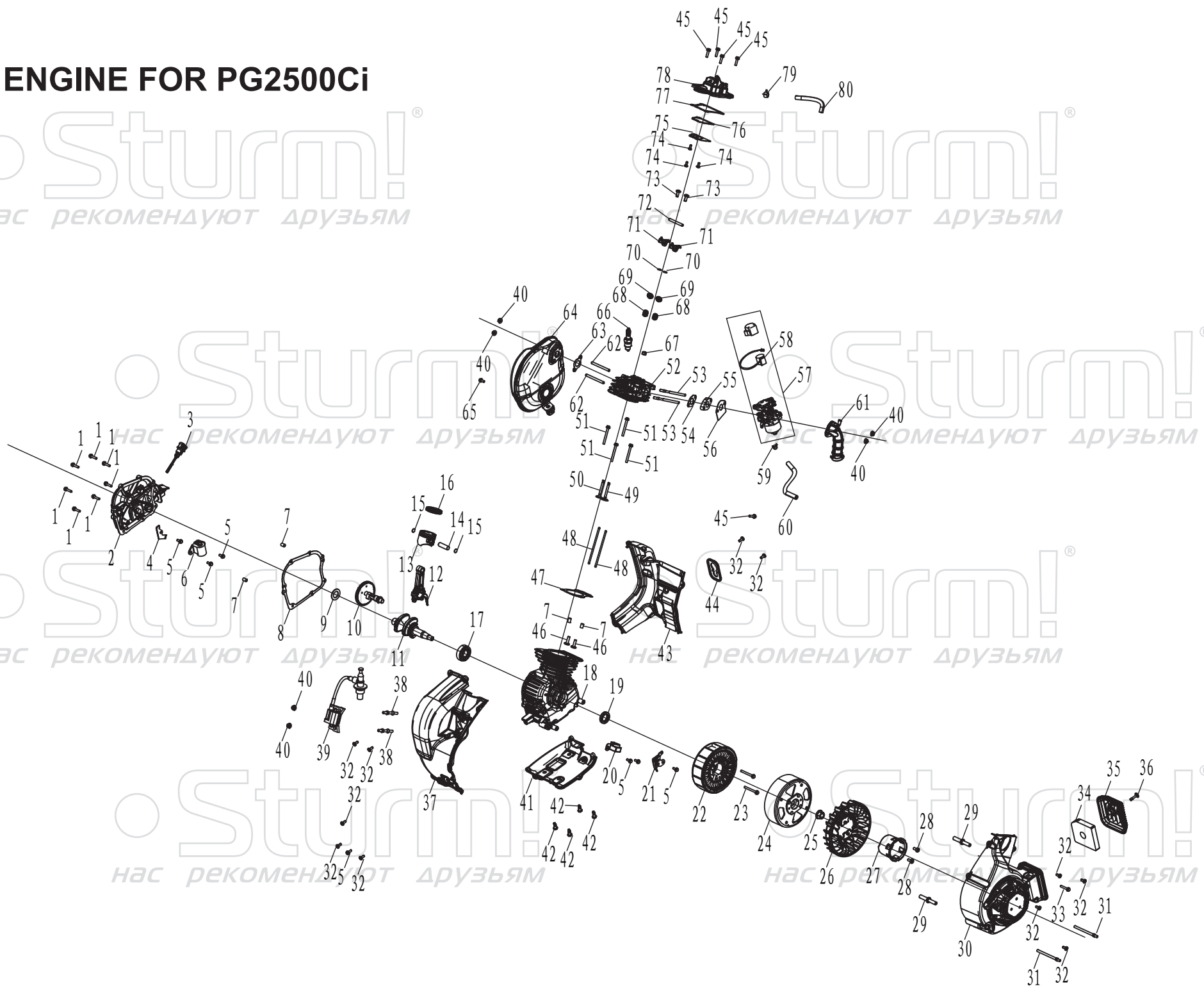
Sturm!  
нас рекомендуют друзья

Sturm!  
нас рекомендуют друзья

Sturm!  
нас рекомендуют друзья

Sturm!  
нас рекомендуют друзья

Sturm!  
нас рекомендуют друзья



# ENGINE FOR PG2500Ci

NO.	DESCRIPTION	SPEC.	NO.	DESCRIPTION	SPEC.
1	Hexagonal flange face bolt	M6×22	41	Blower cover	
2	Crankcase cover		42	Hexagonal head shoulder bolt	
3	Oil dipstick		43	Blower cover	
4	Pressure plate		44	Shock absorption and buffering rubber	
5	Hexagonal flange face bolt	M6×12	45	Hexagonal flange face bolt	
6	Oil sensor		46	Valve rocker arm	
7	Locating pin	φ 8×12	47	Cylinder head gasket	
8	Crankcase gasket		48	Valve rocker rod	
9	Flat washer	φ 20×φ 34×1.0	49	Intake valve	
10	Camshaft component		50	Exhaust valve	
11	Crankshaft component		51	Cylinder head bolt	
12	Connecting rod		52	Cylinder head	
13	Piston		53	Double head bolt	
14	Piston pin	φ 11×37	54	Intake port gasket	
15	Piston pin ring	φ 12	55	Carburetor heat insulation plate	
16	Piston ring assembly		56	Carburetor gasket	
17	Deep groove ball bearing		57	Carburetor components	
18	Crankcase		58	Stepper motor	
19	Oil seal		59	Pipe clamp	
20	Trigger		60	Oil pipe	
21	Pressure plate		61	Air filter intake pipe	
22	Magnetic motor stator assembly		62	Double-ended screws	
23	Hexagonal flange face bolt	M6×35	63	Exhaust port gasket	
24	Magnetic motor rotor assembly		64	Muffler	
25	Flywheel nut	M12×1.25	65	Hexagonal flange face bolt - enlarged series	
26	Impeller		66	Spark plug	
27	Starting cup		67	Oil retaining cover	
28	Internal hexagonal bolt	M6×8	68	Valve spring	
29	O-ring	φ 6.5	69	Intake valve spring seat	
30	Hand starting component (starter assembly)		70	Valve lock clip	
31	Double-ended screw	M6-81 M6-10	71	Valve rocker arm	
32	Cross-slot flat head self-tapping screw	ST5.5×12	72	Valve rocker arm shaft	
33	Hexagonal flange face bolt - enlarged series	M6×20	73	Small flat head cross-slot screw	
34	Air filter filter element		74	Flat head cross-slot screw, flat washer and spring washer combination	
35	Air filter housing cover		75	Breathing plate limit plate	
36	Cross-slot flat head screw	M6×30	76	Breathing groove gasket	
37	Air deflector		77	Cylinder head cover seal gasket	
38	Double-ended screw	M6-62	78	Cylinder head cover assembly	
39	Igniter		79	Pipe clamp	
40	Hexagonal flange nut	M6	80	Exhaust pipe	

нас рекомендуют друзья

нас рекомендуют друзья PG2500Ci-EX-CK03P2026036T